

## DESCRIPTION

AMC MODEL SWM-DJV-1DT-2ATT OPTION: DC18 IS A SINGLE POLE SINGLE THROW, NON-REFLECTIVE/ABSORPTIVE SWITCH MODULE WITH VERY LOW VIDEO TRANSIENT, ULTRA HIGH SPEED, HIGH ISOLATION, AND WITH INTEGRAL TTL DRIVER, DESIGNED FOR DC TO 18 GHz OPERATION.

## SPECIFICATIONS

- FREQUENCY RANGE: ..... DC TO 18 GHz
- INSERTION LOSS: ..... 4.5 dB MAXIMUM
- ISOLATION
  - DC TO 12 GHz: ..... 60 dB MINIMUM
  - 12 GHz TO 18 GHz: ..... 70 dB MINIMUM
- VSWR: ..... 2.0:1
- RISE TIME: ..... 1nSec TYPICAL, 2nSec MAXIMUM
- FALL TIME: ..... 1nSec TYPICAL, 2nSec MAXIMUM
- DELAY ON: ..... 12nSec TYPICAL, 15nSec MAXIMUM
- DELAY OFF: ..... 12nSec TYPICAL, 15nSec MAXIMUM
- VIDEO TRANSIENT
  - 300MHz BW(2-18 GHz) .. 20mV P-P
  - 20MHz BW(2-18 GHz) .. 4mV P-P
  - 300MHz BW(DC-18 GHz) .. 150mV P-P
  - 20MHz BW(DC-18 GHz) .. 50mV P-P
- POWER INPUT: ..... (CW)+20 dBm
- SURVIVAL POWER: ..... 1 WATT CW, 10 WATTS PEAK 1 uSec
- CONTROL: ..... TTL LOGIC "0" = ON  
TTL LOGIC "1" = OFF
- POWER SUPPLY: ..... -5V @ 25 mA MAXIMUM
- CONNECTORS:
  - RF: ..... SMA FEMALE
  - CONTROL: ..... SOLDER PIN
- SIZE: ..... 1.00" (L) x 1.00" (W) x 0.50" (H)
- WEIGHT: ..... 1.5 OUNCE TYPICAL

## OPTIONS

- DC18: ..... FREQUENCY RANGE DC TO 18 GHz

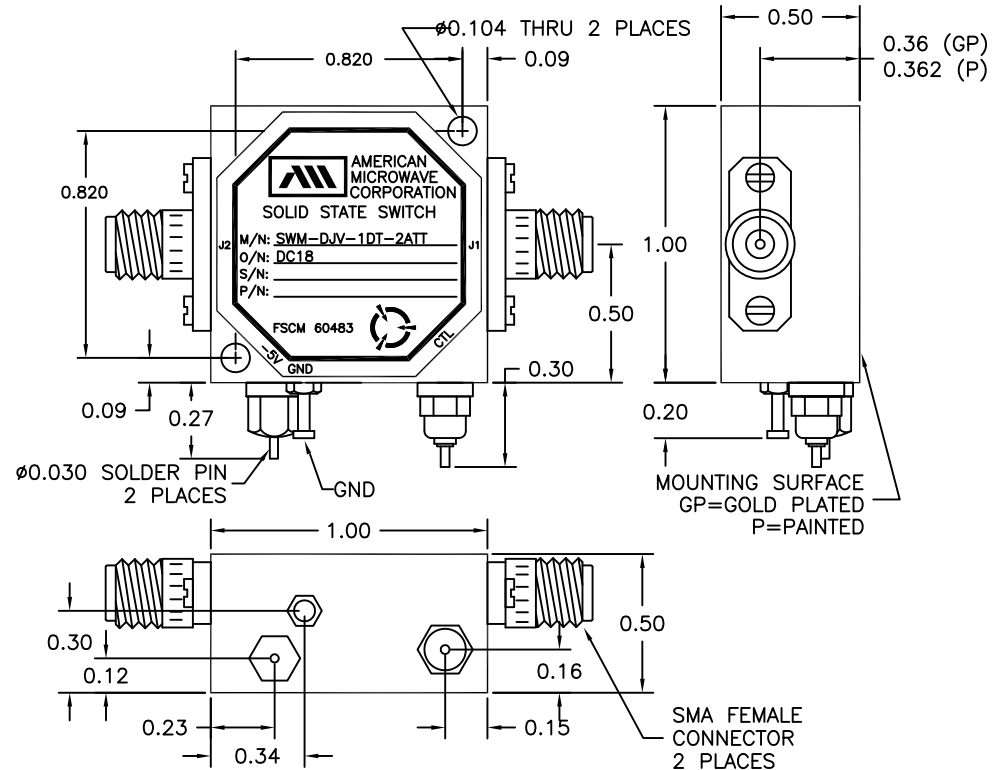
## ENVIRONMENTAL RATINGS

- **TEMPERATURE:** ..... -55°C TO +85°C (OPERATING)  
..... -65°C TO +125°C (STORAGE)
- **HUMIDITY:** ..... MIL-STD-202F, METHOD 103B COND. B
- **SHOCK:** ..... MIL-STD-202F, METHOD 213B COND. B
- **VIBRATION:** ..... MIL-STD-202F, METHOD 204D COND. B
- **ALTITUDE:** ..... MIL-STD-202F, METHOD 105C COND. B
- **TEMPERATURE CYCLE:** ..... MIL-STD-202F, METHOD 107D COND. A

NOTE: SPECIFICATIONS WILL VARY OVER OPERATING TEMPERATURE  
NOTE: THE ABOVE SPECIFICATIONS ARE SUBJECT TO CHANGE OR REVISION

ALL DIMENSIONS ARE IN INCHES  
TOLERANCES:  
X.XX ±0.020  
X.XXX ±0.010

REVISIONS				
ZONE	REV.	DESCRIPTION	DATE	APPROVED
	-	ORIGINAL RELEASE JOB# 412293	12/16/04	



## AMERICAN MICROWAVE CORPORATION

7311-G GROVE ROAD  
FREDERICK, MARYLAND 21704 USA  
TEL: 301-662-4700 FAX: 301-662-4938  
WEBSITE: [www.americanmicrowavecorp.com](http://www.americanmicrowavecorp.com)  
E-MAIL: [sales@americanmicrowavecorp.com](mailto:sales@americanmicrowavecorp.com)  
ISO 9001:2000 CERTIFIED



APPROVALS		DATE	TITLE			
DRAWN <i>JKM</i>		12/16/04	PRODUCT FEATURE SWM-DJV-1DT-2ATT OPTION: DC18			
CHECKED			DC - 18 GHz SINGLE POLE SINGLE THROW SWITCH			
ISSUED			SIZE	FSCM NO.	DWG NO.	REV.
			A	60483	100-7239	-
			SCALE	N:S		SHEET 1 OF 3